

APPLICATION:

PRODUCT NAME:
**SINGLE BASE WALL MOUNT
 WITH SWIVEL OUTLET**

JOB NAME:

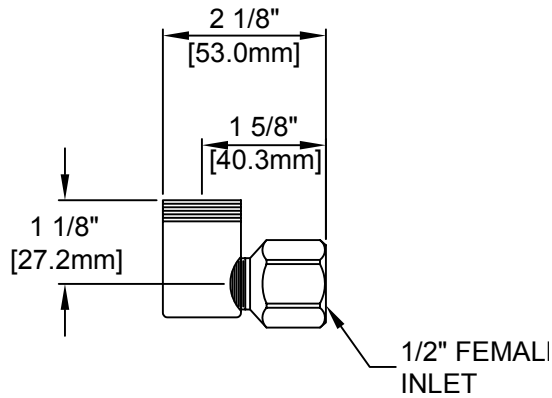
_____ SPECIAL CONFIGURATION
 (CHECK BASE MODEL AND OPTIONS)

MODEL:
 4900

QUANTITY:

ITEM NO.:

OPTIONS OR MODIFICATIONS:
 OTHER _____



FEATURES:

- * WALL MOUNT
- * SWIVEL OUTLET
- * 1/2" NPT FEMALE INLET
- * PLATED CHROME BODY

SYSTEM LIMITS

- * TEMP: 40°F MIN. TO 140° MAX.
- * PRESSURE: 200 PSI MAX. STATIC

SHIPPING WEIGHT

- * 0.25 LBS

ROUGH-IN:

